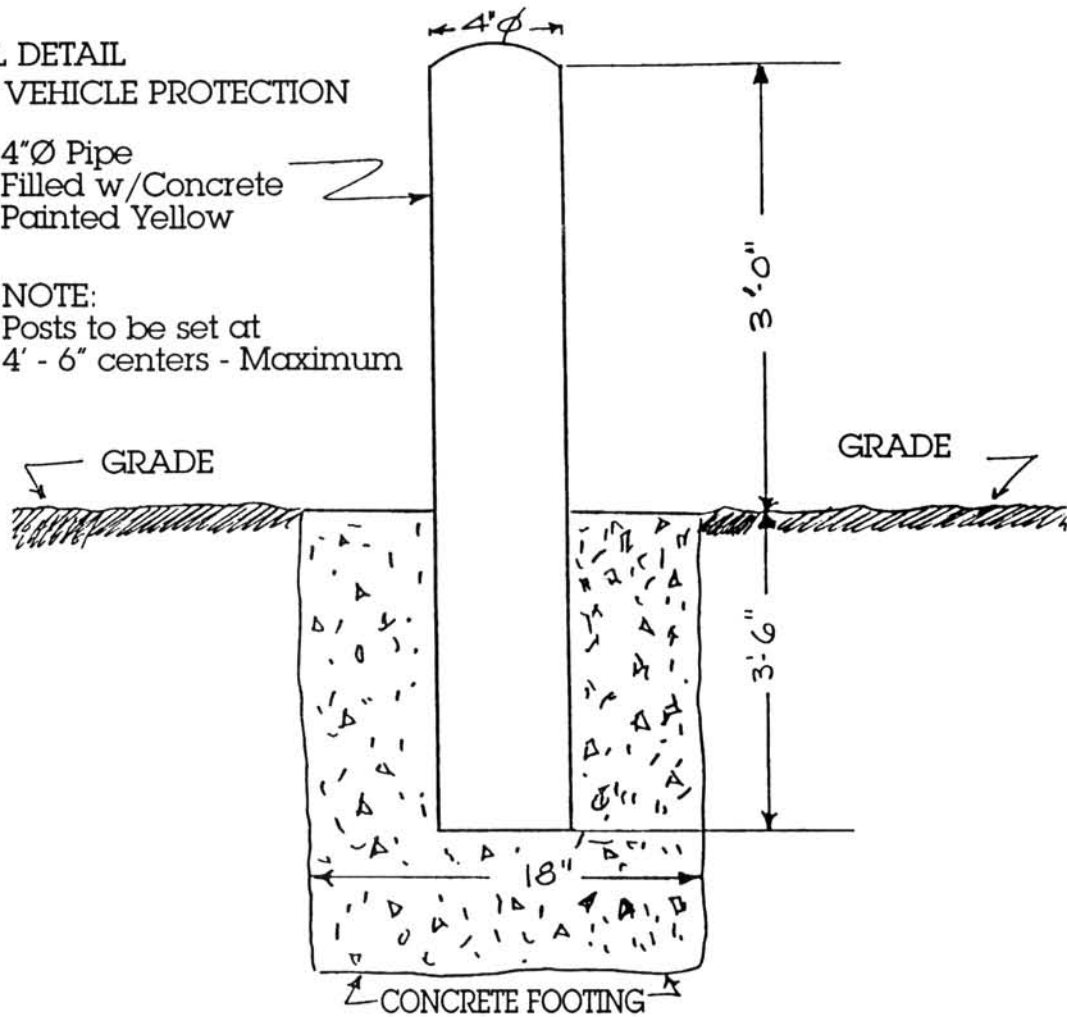


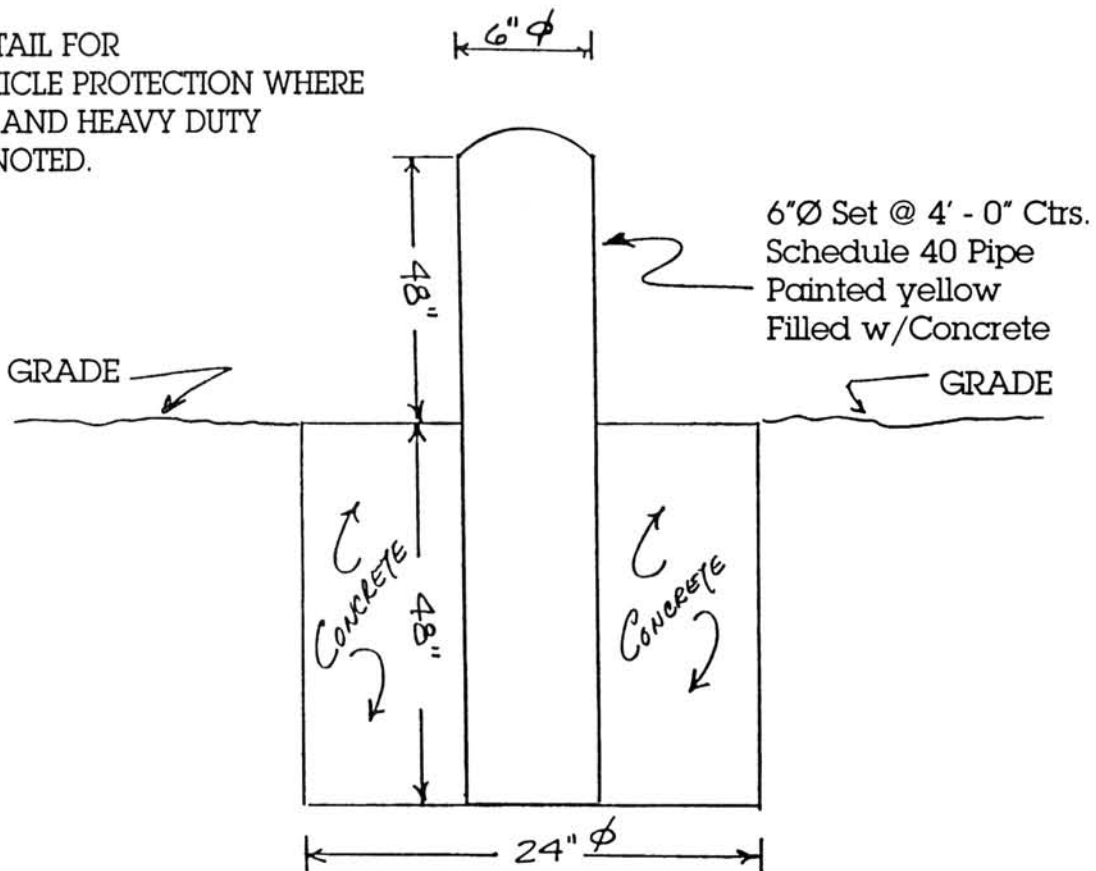
TYPICAL DETAIL
MOTOR VEHICLE PROTECTION

4"Ø Pipe
Filled w/Concrete
Painted Yellow

NOTE:
Posts to be set at
4' - 6" centers - Maximum



TYPICAL DETAIL FOR
MOTOR VEHICLE PROTECTION WHERE
HIGH SPEED AND HEAVY DUTY
TRAFFIC IS NOTED.



1. Crash posts are to be a minimum of 4" schedule 40 pipe and painted yellow.
2. Buried 3-1/2 feet deep and 3 feet out of ground and filled with concrete.
3. Posts to be encased in concrete 18" in diameter by 3-1/2 foot in depth for minimum standards.
4. Posts are to be set at 4' - 6" maximum centers.

Where high speed and heavy duty traffic is noticed the following shall be the requirements for motor vehicle protection:

1. Posts are to be a minimum of 6" schedule 40 pipe and painted yellow.
2. Posts are to be buried a minimum of 48" deep, extend a minimum of 48" above grade and filled with concrete.
3. Posts are to be set at 4' - 0" maximum centers.
4. Posts are to be encased in concrete of 24" diameter and 48" in depth for minimum standards.

On reverse side are schematics of the above standards established.

PROTECTION OF NATURAL GAS METERS -
N.F.P.A. 54-2.7.2b.

PROTECTION OF NATURAL GAS REGULATORS -
N.F.P.A. 54-2.8.3.

PROTECTION OF L.P.G. CONTAINERS OR SYSTEMS -
N.F.P.A. 58-3-2.4.1(c).

PROTECTION OF FUEL PUMPS AND DISPENSERS -
N.J.A.C. 5:18-3.16(d)2.

HAZARDOUS CONDITIONS (GENERAL) [EXITS, TANKS, ETC.] -
N.J.A.C. 5:70-F-102.1.1.8